

# 智明電子股份有限公司規格承認書

## CHIMING ELECTRONICS CORP SPECIFICATION FOR APPROVAL

地址:新竹市橫山鄉橫山村站前街 58 號 **Add:** #58 Station Street, Henghan Hsing, Hsinchu Hsien, Taiwan

**Tel:** 886-3-593-3482 OR 3-593-1851 **Fax:** 886-3-593-4537 OR 3-593-3238

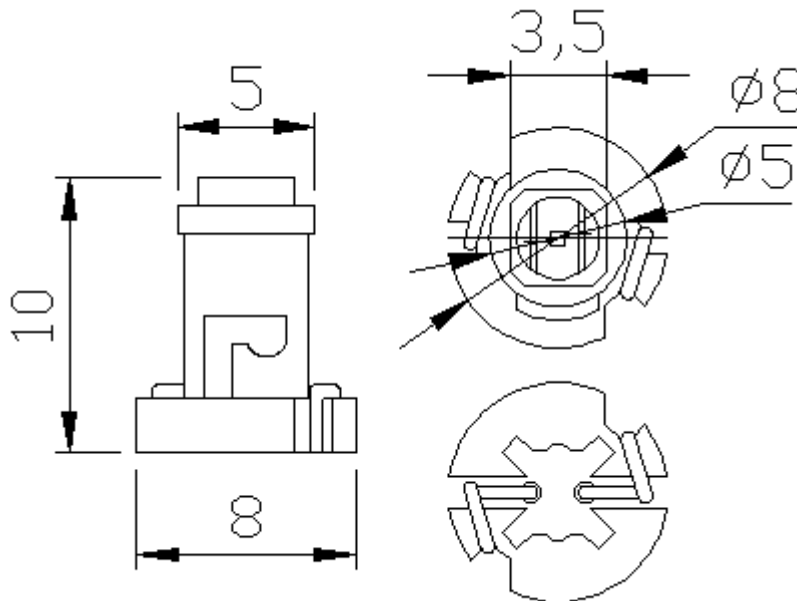
**E-mail:** att2278@ms71.hinet.net [Http://www.chi-ming.com](http://www.chi-ming.com)

### DESCRIPTION:

(A) Electronics and Optical Characteristics: Ta=25°C

PART NO	Emitting Color	Forward Voltage (DC)	Totality Luminous Intensity	Efficacy	Dominant Wavelength	Color Temperature	Single LED Intensity	Viewing Angle
<b>T3-NEO WEDGE-1HP</b>		Unit: V	Unit: LM Error margin: ±5%	Unit: LM/W	Unit: nm	Unit: K	Unit: mcd (0.3m)	Unit: deg
<b>R</b>	Super Red	14.20	2.168	8.26	626~640	1001	250	113.4
<b>Y</b>	Super Yellow	14.20	2.014	7.63	597~600	1321	240	116.8
<b>G</b>	Ultra Green	14.20	2.147	8.31	530~525	7547	235	119.6
<b>B</b>	Ultra Blue	14.20	0.839	3.21	463~460	>=100000	86	112.3
<b>W</b>	Super White	14.20	3.927	15.03	X:0.285Y:0.285	9566	557	104.0
<b>Test Condition</b>		<b>Power:0.25W</b>		<b>Current:18±10%mA</b>				

Figure:



### (B) Absolute Maximum Ratings AT Ta=25°C

PARAMETER	MAX	UNIT
Continuous Forward Current		mA
Peak Forward Current (1/10 Duty Cycle 0.1ms Pulse Width)		mA
Reverse Voltage		V
Operating Temperature Range	-20°C to +50°C	
Storage Temperature Range	-40°C to +100°C	
Lead Solder Temperature 1.6mm Below Package 260°C For 5 seconds		

APPROVED & CHECKED BY: LiHuaping Tested By: LiHuaping Date: 2009/04/06